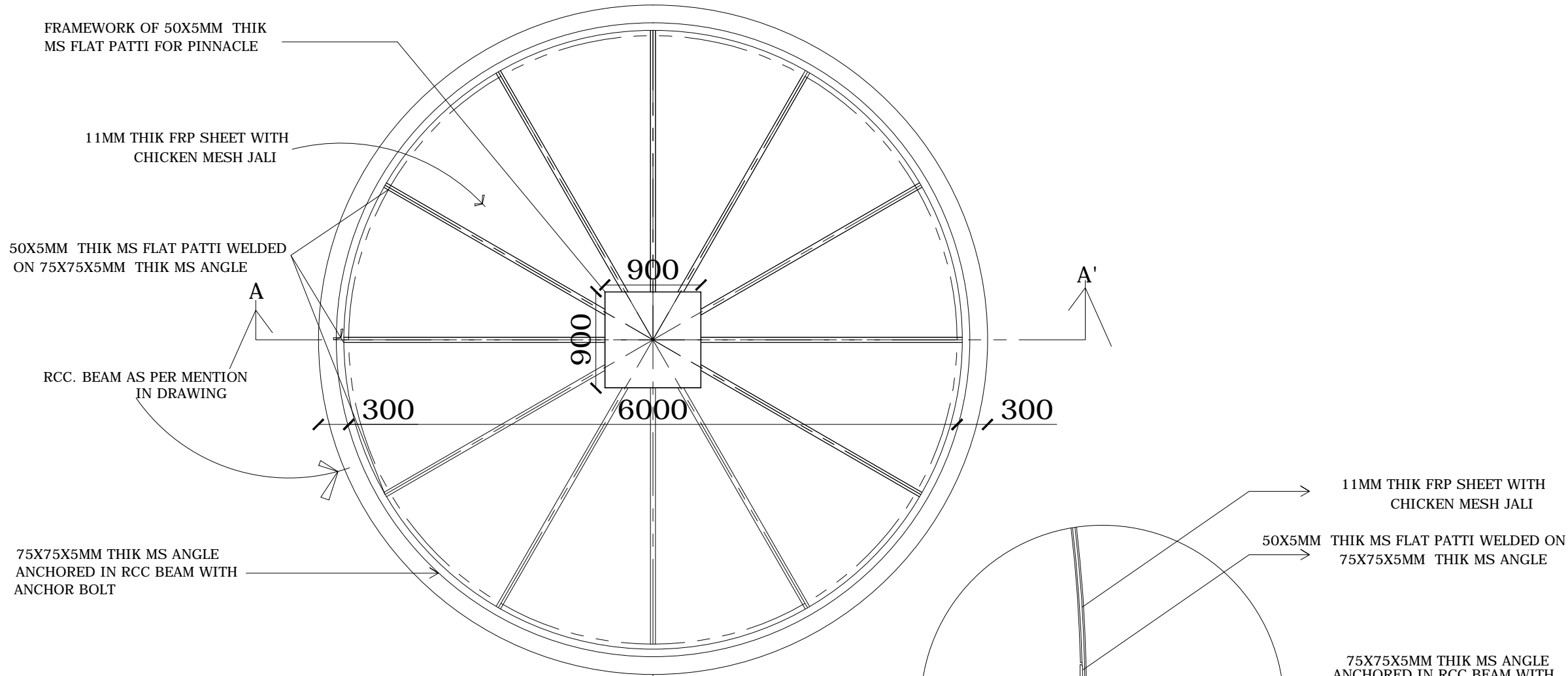
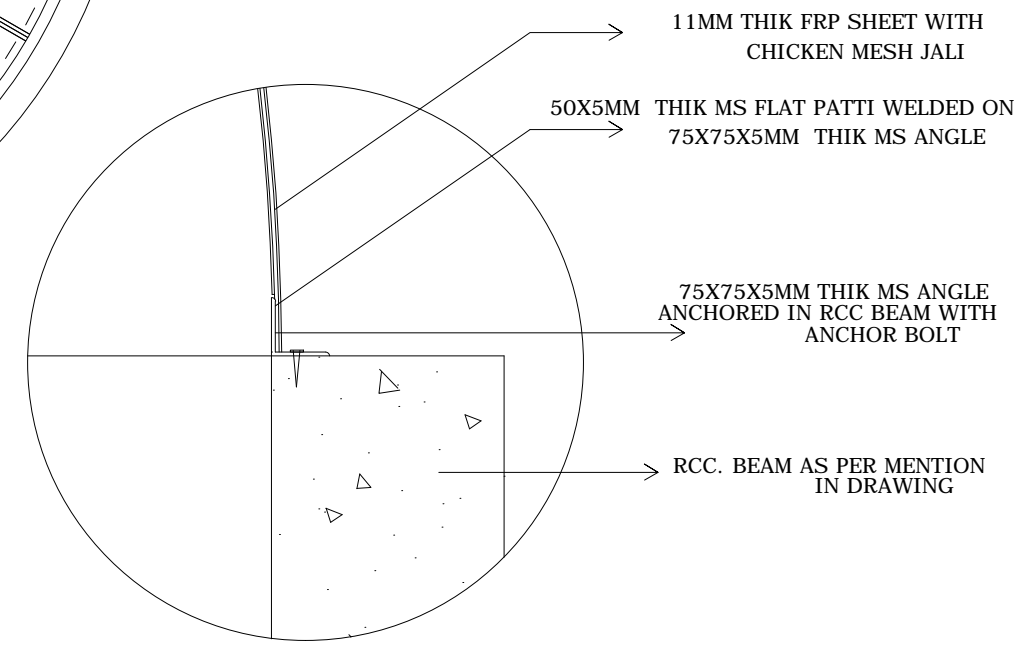


PLAN SHOWING PROPOSED CONSTRUCTION FOR
'CHOKHAMELA HOSTEL'
AT DIKSHBHUMI SQUARE, NAGPUR
BELONGING TO SOCIAL WELFARE DEPARTMENT

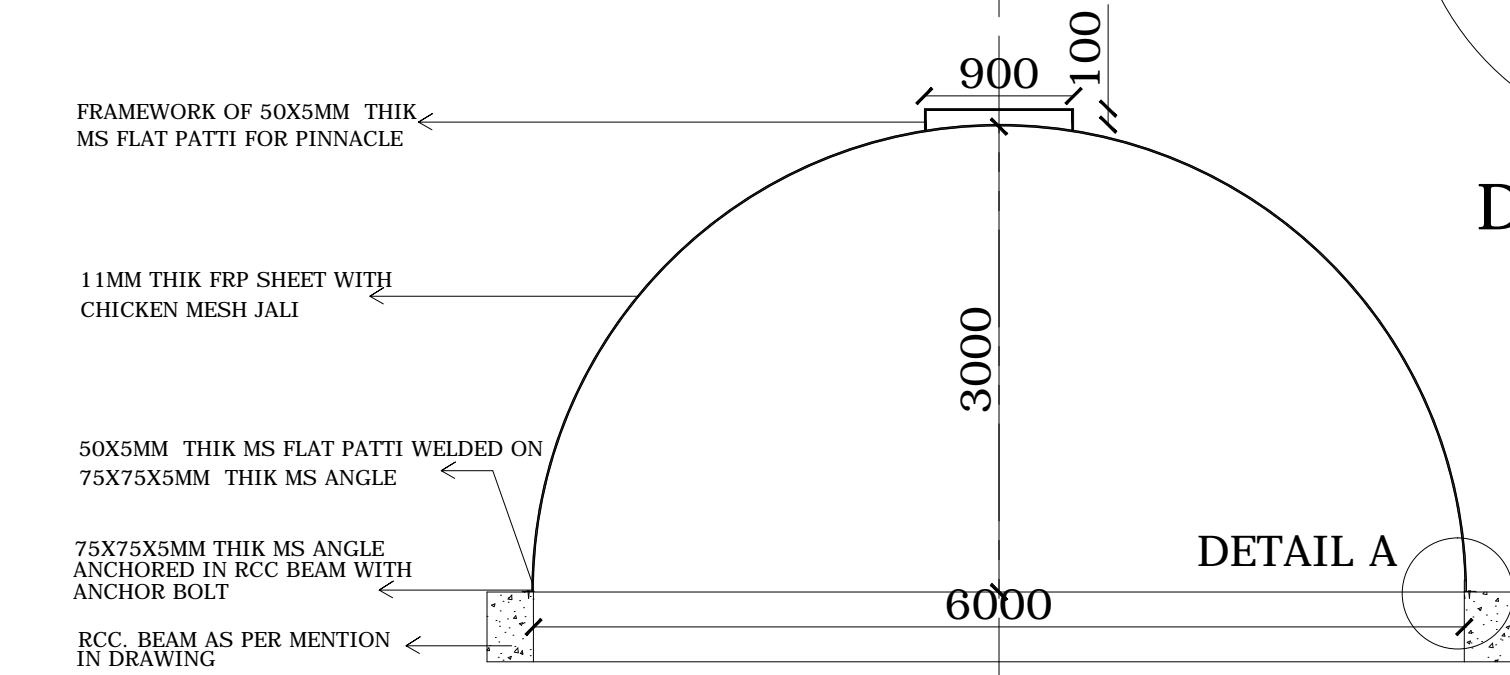
DRAWING
DOME DETAIL AT TERRACE LEVEL



DOME PLAN



DETAIL AT A



SECTION AA'

ARCHITECT'S SIGNATURE:

NIT L.S. 1241
SANDEEP S. KAMBLE
ARCHITECTS & PLANNERS
95, SANCTITY, RAJENDRA NAGAR, HINGNA M.I.D.C. ROAD
NAGPUR - 440016

DRAWING TITLE :-	SCALE	NORTH
WORKING DRAWING	1:100, 1:200	

SUB-	date :	job no :	dealt :	chkd : SSK
------	--------	----------	---------	---------------

NOTES- all dim. are in mm. unless otherwise stated
do not scale the drg.